

GY-C8B



FEATURE

Capacities 10~50 t

Stainless steel housing

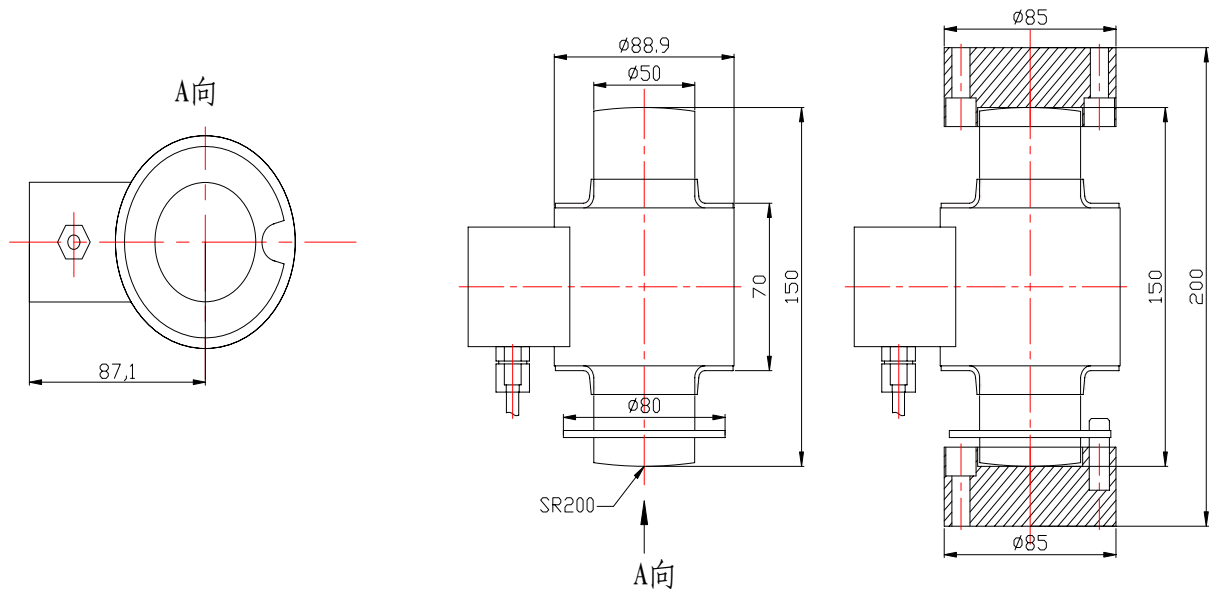
Easy to install

Good self-aligning ability

INTERCHANGEABLE

ZEMIC BM14G VISHAY ASC

OUTLINE DIMENSIONS



GY-C8B

SPECIFICATIONS

Capacity	t	10,20,30,40,50
Rated output	mv/v	2.0±0.1%
Non-linearity	%F.S	0.03
Hysteresis	%F.S	0.03
Creep in 30 minutes	%F.S	0.03
Zero balance	%F.S	±1%
Input resistance	Ω	700±7
Output resistance	Ω	702±3
Insulation resistance	MΩ	≥5000
Excitation voltage	V	10V (maximum 15V) AC/DC
Environmental protection		IP67
Safe overload	%F.S	150
Ultimate overload	%F.S	300
Operating temperature range	℃	-10~+40
Material		Alloy steel & Stainless steel
Cable Length	m	15

Wiring Schematic Diagram

