

GY-C8I

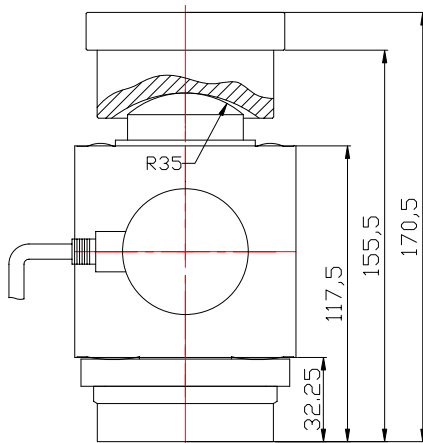


FEATURE

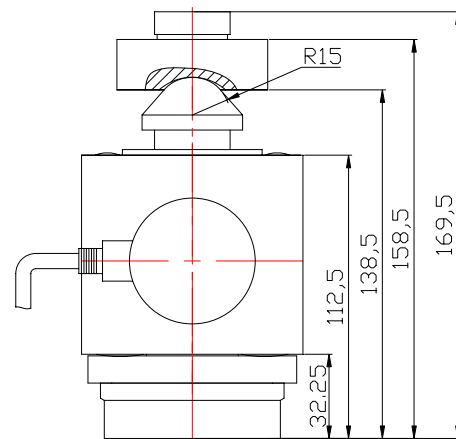
- Capacities 5~50 ton
- Stainless steel housing
- Simple to install
- Self restoring rocking pin

OUTLINE DIMENSIONS in millimeters

50t



5~30t



GY-C8I

SPECIFICATIONS

Capacity	t	5,10,20,30,50
Rated output	mv/v	1.5
Non-linearity	%F.S	0.03
Hysteresis	%F.S	0.03
Creep in 30 minutes	%F.S	0.03
Zero balance	%F.S	±1
Input resistance	Ω	670±15
Output resistance	Ω	605±5
Insulation resistance	MΩ	≥5000
Excitation voltage	V	10V (maximum 15V) AC/DC
Environmental protection		IP67
Safe overload	%F.S	1 50
Ultimate overload	%F.S	300
Operating temperature range	℃	-10~+40
Material		Alloy steel & Stainless steel
Cable Length	m	15

Wiring Schematic Diagram

INTERCHANGEABLE

Vishay Tedea-Huntleigh Model 120
Sartorius PR6221
YoungZon 106AH
METTLER TOLEDO PGD

