

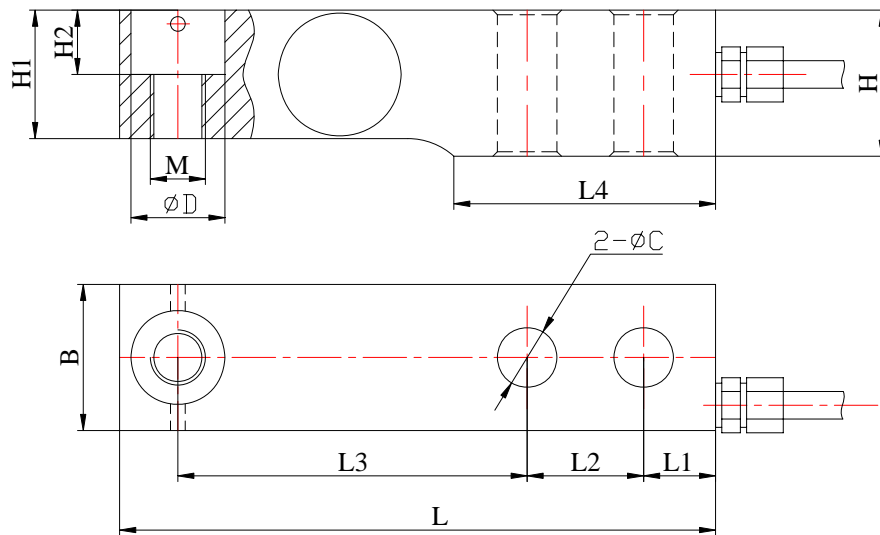
GY-SBH



FEATURE

- Capacities 250-5000kg
- Hermetically sealed
- Single shear beam, Low profile
- Accurate connection of multiple load cells
- INTERCHANGEABLE REVERSE ACB**

OUTLINE DIMENSIONS



Capacity (kg)	Size mm								
	L	L1	L2	L3	L4	H	H1	H2	B
250	130	15.5	25.4	76.2	57.1	31.8	25.2	14.2	31.8
500	130	15.5	25.4	76.2	57.1	31.8	26	14.2	31.8
1000	130	15.5	25.4	76.2	57.1	31.8	27.95	14.2	31.8
2000	130	15.5	25.4	76.2	57.1	35.8	31.95	14.2	31.8
5000	172	19.1	38.1	95.3	76.2	44	40	20	38
Capacity (kg)	Size mm								
	2-ØC	ØD	M						
250	13	20.5	M 12						
500	13	20.5	M 12						
1000	13	20.5	M 12						
2000	13	20.5	M 12						
5000	20.5	30.2	M20						

GY-SBH

SPECIFICATIONS

Capacity	t	250,500,1000,2000,5000kg
Rated output	mv/v	2.0±0.5%
Non-linearity	%F.S	0.03
Hysteresis	%F.S	0.03
Creep in 30 minutes	%F.S	0.03
Zero balance	%F.S	±1
Input resistance	Ω	1000±50
Output resistance	Ω	1000±10
Insulation resistance	MΩ	≥5000
Excitation voltage	V	10V (maximum 15V) AC/DC
Environmental protection		IP67
Safe overload	%F.S	150
Ultimate overload	%F.S	300
Operating temperature range		-10 +40
Material		Alloy steel & Stainless steel
Cable Length	m	3m (500 1000kg) 6m(2000 5000kg)

Wiring Schematic Diagram

