

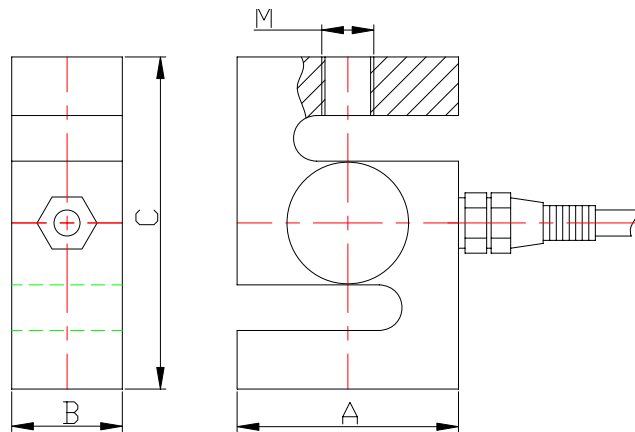
GY-S2A



FEATURE

Capacities 0.2~20 t
Good output symmetry
Compact structure
Suitable for electromechanical scale, crane scale, hopper scale and various special scales

OUTLINE DIMENSIONS



Capacity	Size mm				Weight(kg)
	t	A	B	C	
0.3	50.8	19	76.2	M12X1.75	0.6
0.5t	50.8	25.4	76.2	M12×1.75	0.85
1-1.5t	50.8	25.4	76.2	M16	0.85
2t	76.2	25.4	108	M16	1.3
3-5t	76.2	25.4	108	M18×1.5	
10t	127	50	178	M30×2	8.9
(20)30t	160	60	190	M39×2	15

GY-S2A

SPECIFICATIONS

Capacity	t	0.2~20
Rated output	mv/v	2.0,3.0±0.1%
Non-linearity	%F.S	0.03
Hysteresis	%F.S	0.03
Creep in 30 minutes	%F.S	0.03
Zero balance	%F.S	±1
Input resistance	Ω	380±10
Output resistance	Ω	350±3
Insulation resistance	MΩ	≥5000
Excitation voltage	V	10V (maximum 15V) AC/DC
Environmental protection		IP67
Safe overload	%F.S	150
Ultimate overload	%F.S	300
Operating temperature range	℃	-10~+40
Material		Alloy steel & Stainless steel
Cable Length	m	4

Wiring Schematic Diagram

