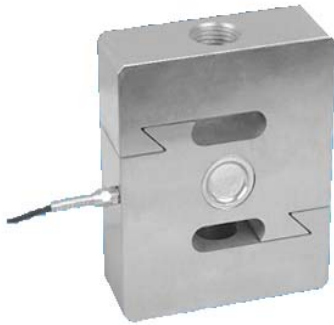


# GY-S2C

---



## FEATURE

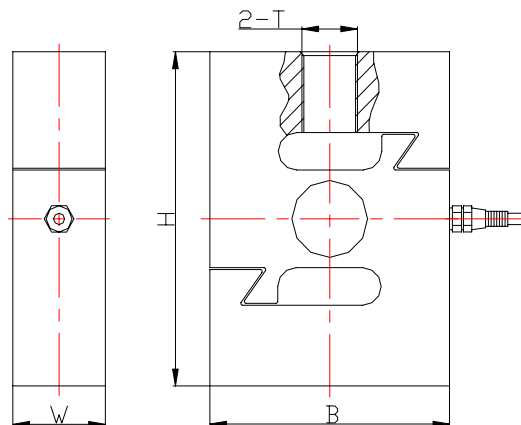
Capacities 0.1~20 t

S type load cell, compression & tension

Compact structure

Suitable for electromechanical scale, crane scale, hopper scale & various special scales

## OUTLINE DIMENSIONS



Capacity t	Size mm				Weight(kg)
	B	W	H	2-T	
0.1-0.75	70	19	80	M12	0.85
1-1.5	70	25	80	M12	1.1
2-5	95	25	108	M18X1.5	2.1
7.5-10	130	51	178	M30X2	9.3
15-20	160	60	190	M39X2	14.5

# GY-S2C

## SPECIFICATIONS

Capacity	t	0.1~20
Rated output	mv/v	2.0±0.1%
Non-linearity	%F.S	0.03
Hysteresis	%F.S	0.03
Creep in 30 minutes	%F.S	0.03
Zero balance	%F.S	±1
Input resistance	Ω	380±10
Output resistance	Ω	350±3
Insulation resistance	MΩ	≥5000
Excitation voltage	V	10V (maximum 15V) AC/DC
Environmental protection		IP67
Safe overload	%F.S	150
Ultimate overload	%F.S	300
Operating temperature range	℃	-10~+40
Material		Alloy steel & Stainless steel
Cable Length	m	5

### Wiring Schematic Diagram

