

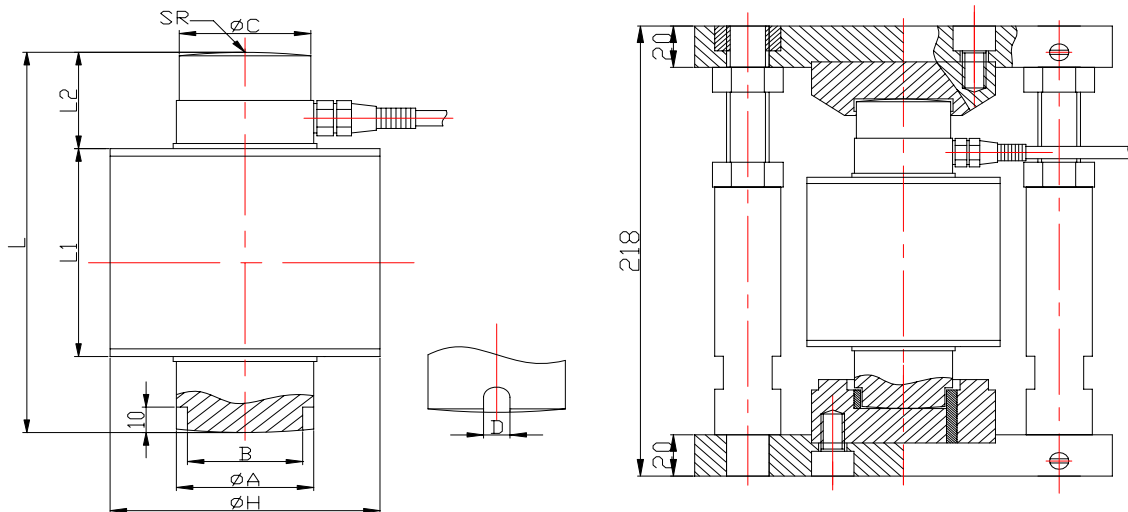
GY-C8E



FEATURE

Capacities 10~ 60t
Hermetically sealed structure
Argon-arc welded, IP 68 Compression
Self restoring rocking pin
Suitable for electronic truck scale,
dynamic railroad scale and big
capacity hopper scale etc

OUTLINE DIMENSIONS



Capacity	Size mm					Weigh (kg)
t	L	H	C	L2	L1	
10-30	150	82	40	38	82	6
40-60	170	88	53	47	95	8.5
t	B	A	D	SR		
10-30	34.7	41.7	8	150		6
40-60	43	53	10	200		6.5

GY-C8E

SPECIFICATIONS

Capacity	t	10~60
Rated output	mv/v	2.0±0.1%
Non-linearity	%F.S	0.03
Hysteresis	%F.S	0.03
Creep in 30 minutes	%F.S	0.03
Zero balance	%F.S	±1
Input resistance	Ω	760±10
Output resistance	Ω	702±3
Insulation resistance	MΩ	≥5000
Excitation voltage	V	10V (maximum 15V) AC/DC
Environmental protection		IP67
Safe overload	%F.S	150
Ultimate overload	%F.S	300
Operating temperature range	℃	-10~+40
Material		Alloy steel & Stainless steel
Cable Length	m	6

Wiring Schematic Diagram

