

GY-C8F



FEATURE

Capacities 15 ~ 30t

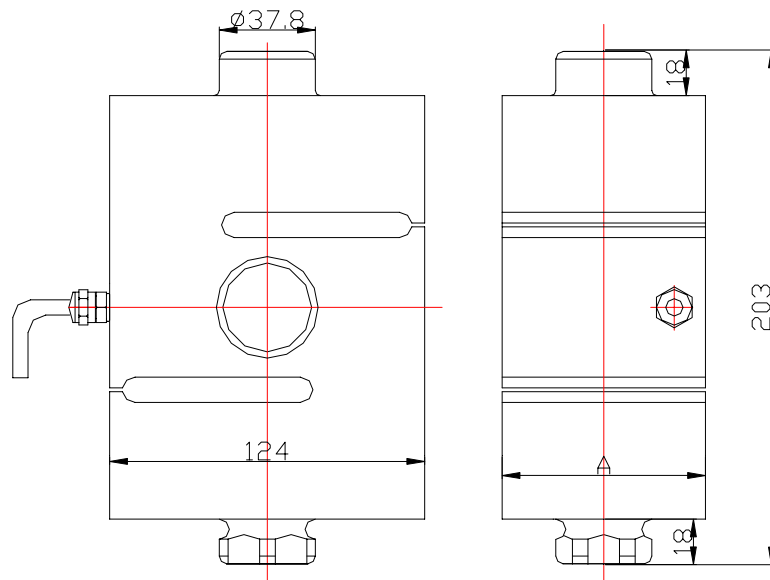
Self restoring rocking pin

With integrated load pins act as a rocker pin thus provides the deck floating function

Suitable for vehicle scales

Interchangeable MT-ZY

OUTLINE DIMENSIONS



Capacity	Size mm	Weight (kg)
T	A	
15	70	17.6
20	70	17.6
30	80	18.8

GY-C8F

SPECIFICATIONS

Capacity	t	15,20,30
Rated output	mv/v	2.0±%0.1
Non-linearity	%F.S	0.03
Hysteresis	%F.S	0.03
Creep in 30 minutes	%F.S	0.03
Zero balance	%F.S	±1
Input resistance	Ω	380±10
Output resistance	Ω	352±3
Insulation resistance	MΩ	≥5000
Excitation voltage	V	10V (maximum 15V) AC/DC
Environmental protection		IP68
Safe overload	%F.S	150
Ultimate overload	%F.S	300
Operating temperature range	°C	-10~+40
Material		Alloy steel & Stainless steel
Cable Length	m	14

Wiring Schematic Diagram

