

GY-C8G



FEATURE

Capacities 20~ 50t

Hermetically sealed design

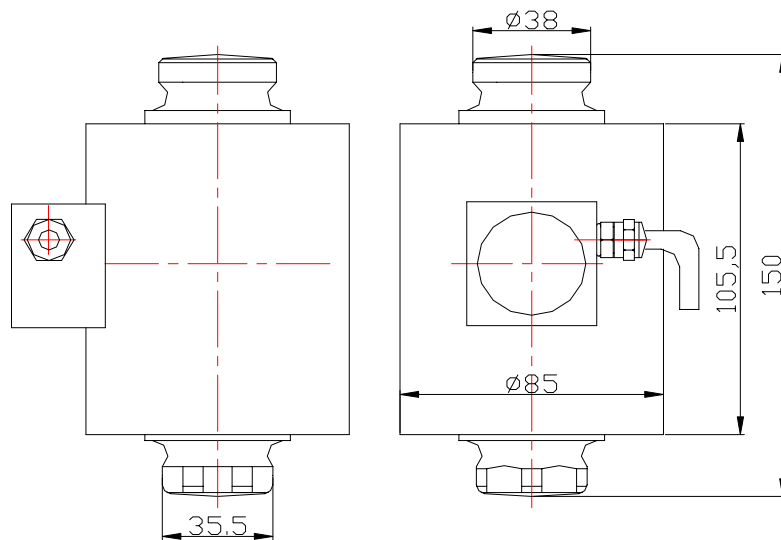
Proven Performance

Simple to install and Maintain

**Suitable for truck scale, railway scale ,
axle-load scale, hopper weighing**

Interchangeable MT 0782 / GD

OUTLINE DIMENSIONS



GY-C8G

SPECIFICATIONS

Capacity	t	20,25,30,40,50
Rated output	mv/v	2.0±0.1%
Non-linearity	%F.S	0.03
Hysteresis	%F.S	0.03
Creep in 30 minutes	%F.S	0.03
Zero balance	%F.S	±1
Input resistance	Ω	1160±10
Output resistance	Ω	1003±3
Insulation resistance	MΩ	≥5000
Excitation voltage	V	10V (maximum 15V) AC/DC
Environmental protection		IP67
Safe overload	%F.S	150
Ultimate overload	%F.S	300
Operating temperature range	°C	-10~+40
Material		Alloy steel & Stainless steel
Cable Length	m	14
Weight	kg	8.8

Wiring Schematic Diagram

