

Load cell Accessory



FEATURE

Column type Sensor Accessory

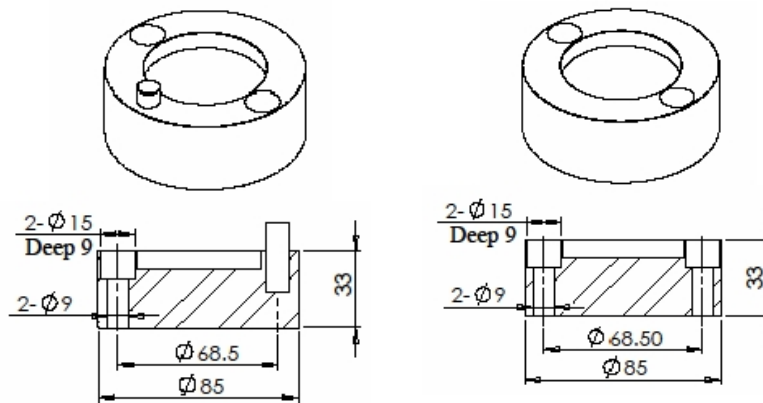
Easy installation, good self-aligning ability,
anti-reversal ability

Stainless steel construction, anti-corrosion
Mainly used for platform scales, electronic
truck scales

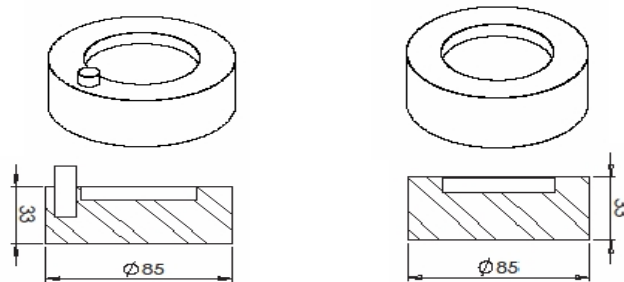
Form a complete set of sensor GY-C8B

OUTLINE DIMENSIONS

Y301A



Y301B



Y302

