

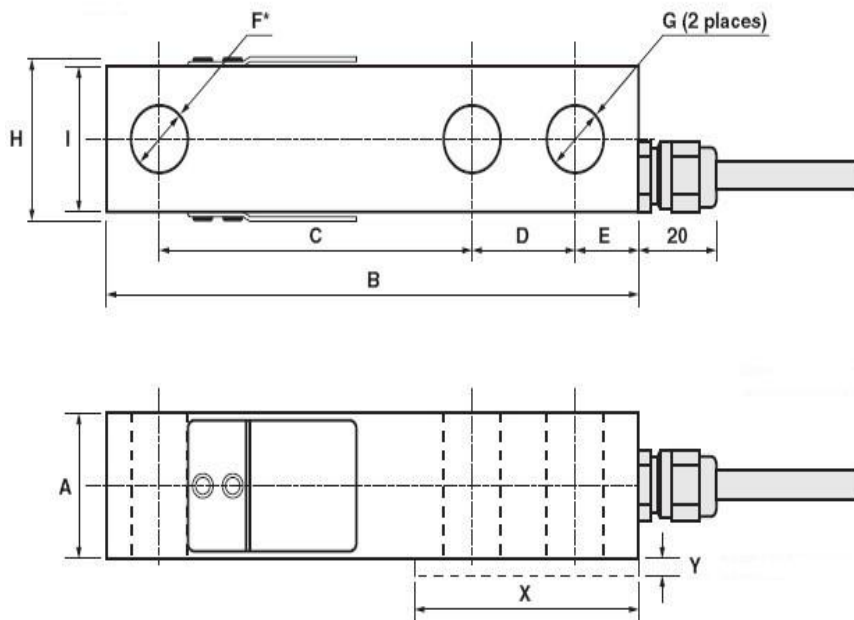
GY-SBB



FEATURE

- Capacities 250~ 2000kg & 1000~4000lbs
- IP67 protection
- Low profile platforms
- Tank and silo weighing
- Interchangeable VISHAY 3410

OUTLINE DIMENSIONS



Capacity	A	B	C	D	E	F	G	H	I	X	Y
1000,1500, 2500,4000bs	30.5	130	76.2	25.4	16	13.5	13.5	34	30.5	57	4
250,500, 1000kg	30.5	130	76.2	25.4	16	M12	13.5	34	30.5	57	4
2000kg	36	130	76.2	25.4	16	M12	13.5	34	30.5	57	4

GY-SBB

SPECIFICATIONS

Capacity	kg	250,500,1000,2000
	lbs	1000,1500,2500,4000
Rated output	mv/v	2.0±0.1%
Non-linearity	%F.S	0.03
Hysteresis	%F.S	0.03
Creep in 30 minutes	%F.S	0.03
Zero balance	%F.S	±1
Input resistance	Ω	385±10
Output resistance	Ω	351±5
Insulation resistance	MΩ	≥5000
Excitation voltage	V	10V (maximum 15V) AC/DC
Environmental protection		IP67
Safe overload	%F.S	150
Ultimate overload	%F.S	300
Operating temperature range	°C	-10~+40
Material		Alloy steel & Stainless steel

Wiring Schematic Diagram

