

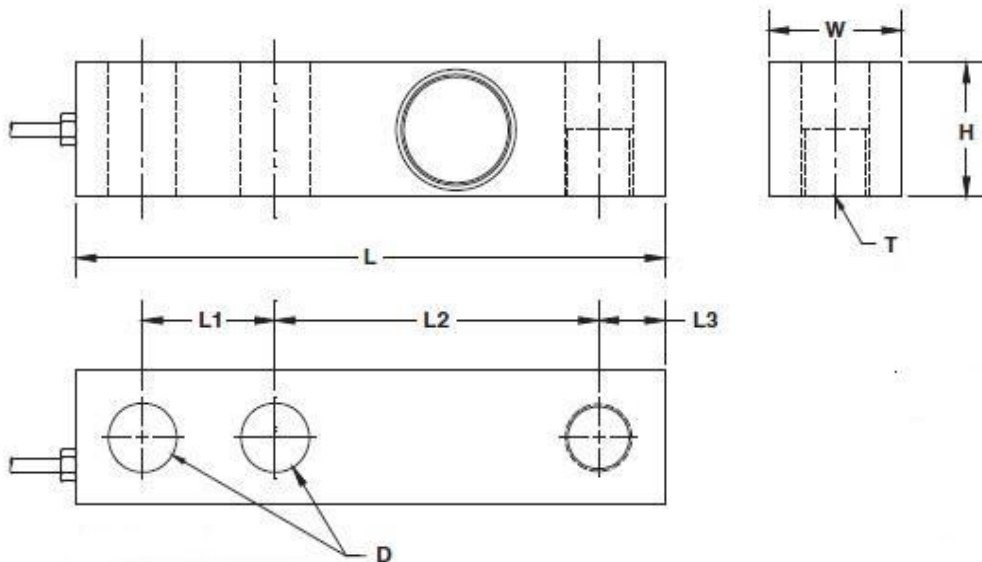
GY-SBC



FEATURE

- Capacities 1k~10klb
- Single shear beam
- Easy installation
- High side-load tolerance
- Packaging machines
- Platform scales (multiple load cells)
- Interchangeable VISHAY SQB-H

OUTLINE DIMENSIONS



Capacity		L	L1	L2	L3	W	H	D	T
1K/2K/2.5 K/3K/4klb	mm	130.0	25.4	76.2	12.7	31.0	31.0	13.5	
	(inch)	5.12	1.00	3.00	0.50	1.22	1.22	0.53	1/2-20UNF
5k/10klb	mm	171.5	38.1	95.3	19.0	38.1	38.1	19.8	
	(inch)	6.75	1.50	3.75	0.75	1.50	1.50	0.78	3/4-16UNF

GY-SBC

SPECIFICATIONS

Capacity	klb	1, 2 ,2.5 ,3 ,4 ,5 ,10
Rated output	mv/v	3.0±0.1%
Non-linearity	%F.S	0.03
Hysteresis	%F.S	0.03
Creep in 30 minutes	%F.S	0.03
Zero balance	%F.S	±1
Input resistance	Ω	385±5
Output resistance	Ω	350±3
Insulation resistance	MΩ	≥5000
Excitation voltage	V	10V (maximum 15V) AC/DC
Environmental protection		IP68
Safe overload	%F.S	150
Ultimate overload	%F.S	300
Operating temperature range	℃	-10~+40
Material		Alloy steel & Stainless steel

Wiring Schematic Diagram

