

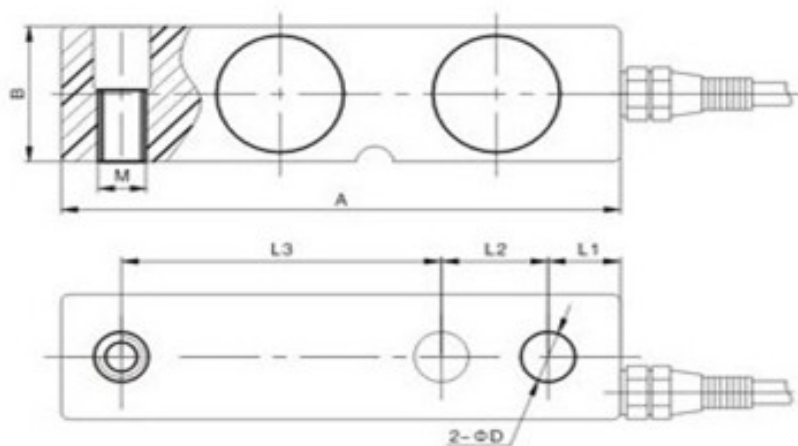
GY-SBD



FEATURE

- Capacities 0.1 ~ 10t
- Single shear beam
- Easy for installation
- Safe and anti-explosive product
- Suitable for various ultra thin electronic truck scale, one-track crane scale, hopper scale etc

OUTLINE DIMENSIONS



Capacity (t)	Size(mm)							Weight (kg)
	A	B	L1	L2	L3	D	M	
0.1-0.5	130	31.8	15.7	25.4	76.2	13	M12	1.05
1-3	130	31.8	15.7	25.4	76.2	13	M16	
2-5	171.5	38.1	19.1	38.1	95.3	19.8	M20*1.5	2
3	171.5	38.1	19.1	38.1	95.3	19.8		
5	171.5	38.1	19.1	38.1	95.3	19.8		
7.5	225.5	50.8	25.4	50.8	124	27	M24*2	4.6
10	225.5	50.8	25.4	50.8	124	27		

GY-SBD

SPECIFICATIONS

Capacity	t	0.1~10
Rated output	mv/v	2.0,3.0±0.1%
Non-linearity	%F.S	0.03
Hysteresis	%F.S	0.03
Creep in 30 minutes	%F.S	0.03
Zero balance	%F.S	±1
Input resistance	Ω	380±10
Output resistance	Ω	350±3
Insulation resistance	MΩ	≥5000
Excitation voltage	V	10V (maximum 15V) AC/DC
Environmental protection		IP67 IP68
Safe overload	%F.S	150
Ultimate overload	%F.S	300
Operating temperature range	℃	-10~+40
Material		Alloy steel & Stainless steel

Wiring Schematic Diagram

