

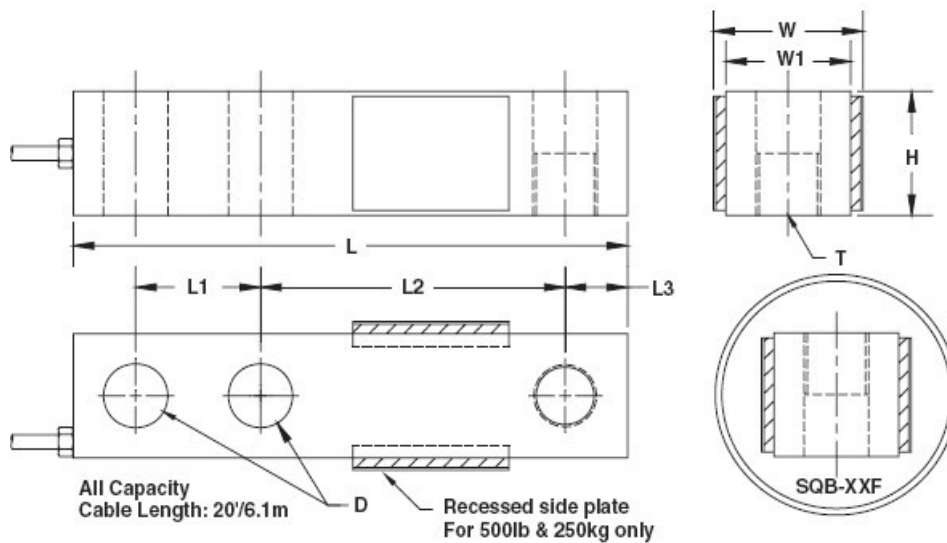
GY-SBE



FEATURE

- Capacities 250~ 5000kg , 500~20klbs
- Single-Ended Beam
- High side-load tolerance
- Easy for installation
- Suitable for Truck/rail scales, Tank weighing ,Packaging machines
- Interchangeable VISHAY SQB

OUTLINE DIMENSIONS



Capacity		L	L1	L2	L3	W	W1	H	D	T
250kg	mm	130.0	25.4	76.2	12.7	31.7	31.7	25.4	13.5	M12*1.75
500lb	(inch)	5.12	1.00	3.00	0.50	1.25	1.25	1.00	0.53	1/2-20UNF
500/1000/1500/2000kg	mm	130.0	25.4	76.2	12.7	38.1	31.7	31.7	13.5	M12*1.75
1K/2K/2.5K/3K/4K/5K Elb	(inch)	5.12	1.00	3.00	0.50	1.50	1.25	1.25	0.53	1/2-20UNF
2500/5000kg	mm	171.5	38.1	95.3	19.0	44.2	38.1	38.1	19.8	M20*1.5
5K/10Klb	(inch)	6.75	1.50	3.75	0.75	1.74	1.50	1.50	0.78	3/4-16UNF
15K.20Klb	mm	225.6	50.8	123.9	25.4	56.9	50.8	50.8	26.2	
	(inch)	8.88	2.00	4.88	1.00	2.24	2.00	2.00	1.03	1-14UNS

GY-SBE

SPECIFICATIONS

Capacity	kg	250,500,1000,1500,2000,2500,5000
	lbs	500,1k,2k,2.5k,3k,4k,5Kse,5k,10k,15k,20k
Rated output	mv/v	3.0±0.1%
Non-linearity	%F.S	0.03
Hysteresis	%F.S	0.03
Creep in 30 minutes	%F.S	0.03
Zero balance	%F.S	±1
Input resistance	Ω	385±5
Output resistance	Ω	350±3
Insulation resistance	MΩ	≥5000
Excitation voltage	V	10V (maximum 15V) AC/DC
Environmental protection		IP67
Safe overload	%F.S	150
Ultimate overload	%F.S	300
Operating temperature range	℃	-10~+40
Material		Alloy steel & Stainless steel

Wiring Schematic Diagram

