

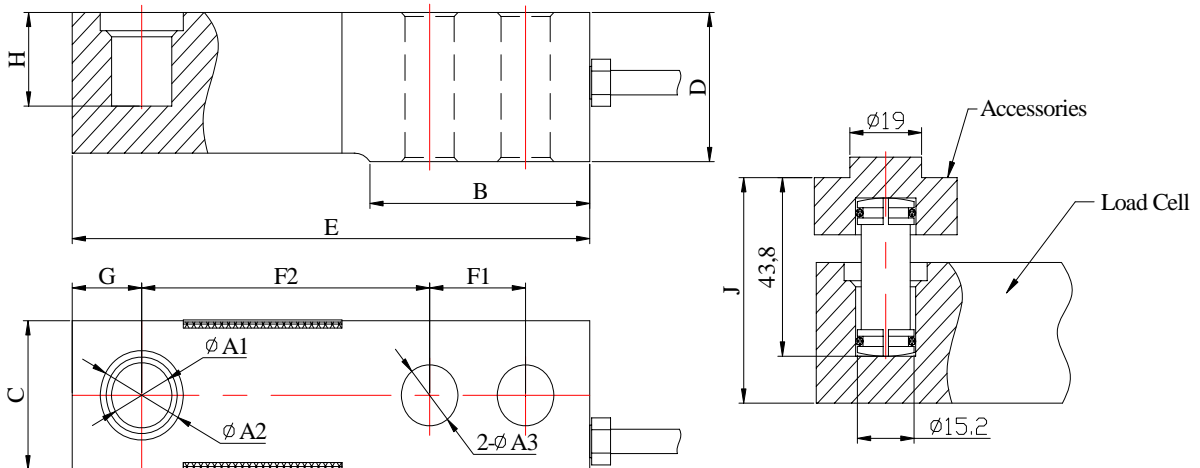
# GY-SBA



## FEATURE

- Capacities 500~3000kg
- Single shear beam
- Easy for installation
- Safe and anti-explosive product
- INTERCHANGEABLE MT SBC

## OUTLINE DIMENSIONS



Capacity (kg)	Size (mm)											
	A1	A2	A3	B	C	D	E	F1	F2	G	H	J
500kg	16	22	12.5	57.8	30.2	35	133.4	25.4	76.2	15.4	22	55.3
1000kg	16	22	12.5	58.2	36.6	36.6	137	25.4	76.2	18.4	23.7	54.6
2000kg	16	22	12.5	58.2	36.6	36.6	137	25.4	76.2	18.4	23	55.3
3000kg	16	22	14.7	58.2	36.6	36.6	137	25.4	76.2	18.4	23	55.3

# GY-SBA

## SPECIFICATIONS

<b>Capacity</b>	<b>kg</b>	<b>500,1000,2000,3000kg</b>
<b>Rated output</b>	<b>mv/v</b>	<b>2.0±0.1%</b>
<b>Non-linearity</b>	<b>%F.S</b>	<b>0.03,0.02</b>
<b>Hysteresis</b>	<b>%F.S</b>	<b>0.02</b>
<b>Creep in 30 minutes</b>	<b>%F.S</b>	<b>0.03,0.02</b>
<b>Zero balance</b>	<b>%F.S</b>	<b>±1</b>
<b>Input resistance</b>	<b>Ω</b>	<b>381±4</b>
<b>Output resistance</b>	<b>Ω</b>	<b>350±1</b>
<b>Insulation resistance</b>	<b>MΩ</b>	<b>≥5000</b>
<b>Excitation voltage</b>	<b>V</b>	<b>10V (maximum 15V) AC/DC</b>
<b>Environmental protection</b>		<b>IP67</b>
<b>Safe overload</b>	<b>%F.S</b>	<b>150</b>
<b>Ultimate overload</b>	<b>%F.S</b>	<b>300</b>
<b>Operating temperature range</b>	<b>°C</b>	<b>-10~+40</b>
<b>Material</b>		<b>Alloy steel &amp; Stainless steel</b>
<b>Cable Length</b>	<b>m</b>	<b>3.1m</b>

### Wiring Schematic Diagram

