

S type Accessory

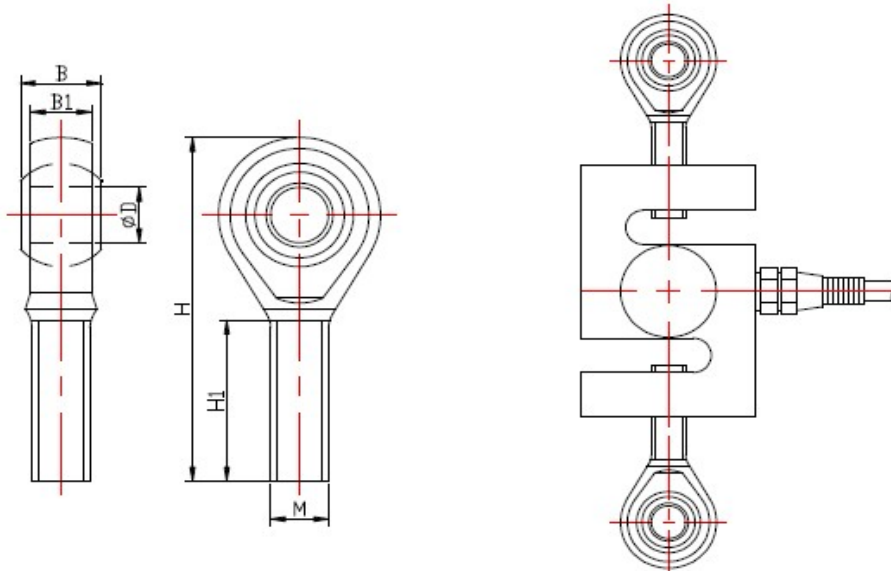
Rod Ends



FEATURE

Rod end joint bearing
Combination s type load cells
Suitable for crane scale ,packing scale,
hopper scale and electron weighing
apparatus

OUTLINE DIMENSIONS



Size (mm)												
M	M6*	M8*	M10*	M12*	M14*	M16*	M18*	M20*	M22*	M24*	M27*	M30*
	1	1.5	1.5	1.75	2	2	1.5	1.5	1.5	2	2	2
D	6	8	10	12	14	16	18	20	22	25	28	30
B	9	12	14	16	19	21	23	25	28	31	35	37
B1	6.8	9	11	12	14	15	17	18	20	22	26	25
H1	22	25	29	33	36	40	44	47	51	57	62	66
H	46	54	62	70	77	86	95	103	111	124	136	145