

# GY-C8C

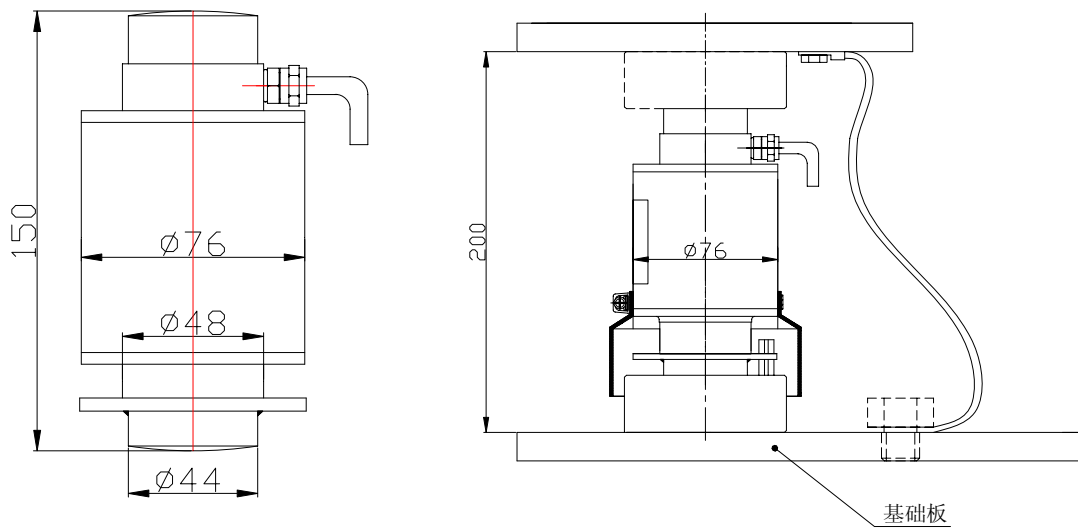
## High Capacity Compression Sensor



### FEATURE

- Capacities 10~50 ton
- Stainless steel housing
- Simple to install
- Strong anti-overload capability
- INTERCHANGEABLE Keli ZSFY

### OUTLINE DIMENSIONS



# GY-C8C

## SPECIFICATIONS

Capacity	t	10~50
Rated output	mv/v	2.0±0.1%
Non-linearity	%F.S	0.03%
Hysteresis	%F.S	0.03%
Creep in 30 minutes	%F.S	0.03%
Zero balance	%F.S	±1%
Input resistance	Ω	760±10
Output resistance	Ω	702±3
Insulation resistance	MΩ	≥ 5000
Excitation voltage	V	10V (maximum 15V) AC/DC
Environmental protection		IP67
Safe overload	%F.S	150
Ultimate overload	%F.S	300
Operating temperature range	℃	-10~+40
Material		Alloy steel & Stainless steel
Cable Length	m	8m(10t), 12m(15~25t), 14m(30t),16m(40,50t)

## Wiring Schematic Diagram

